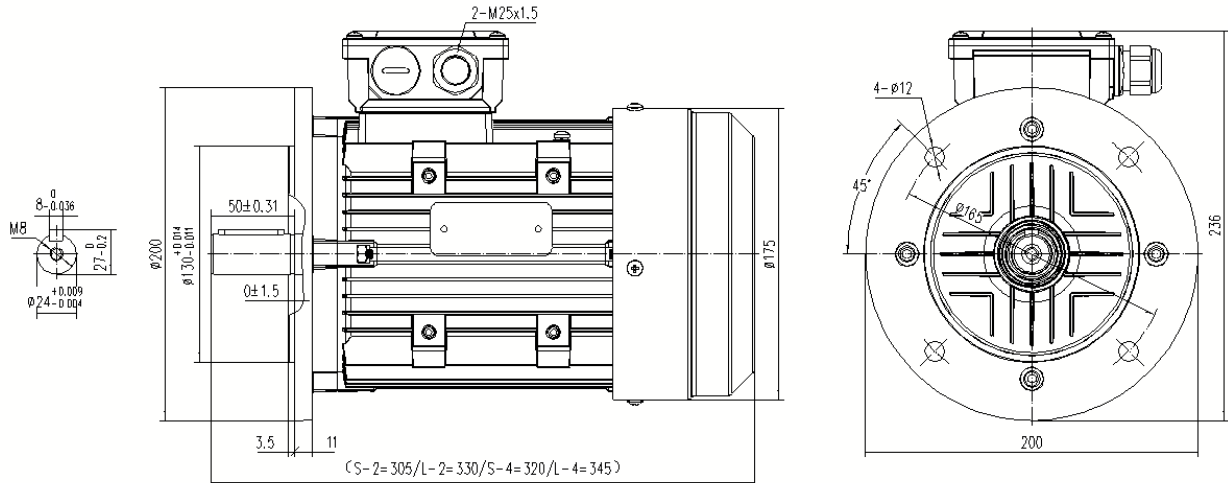


Type **NAH90L-4-N IE3**

Cod.

Mounting position

| | |
|----|------|
| IM | B5 |
| IM | 3001 |



| Electrical data | | | |
|-----------------------------|------|---------|------------------------|
| Rated motor power | 1.5 | | kW |
| Rated motor speed | 1440 | | min ⁻¹ 50Hz |
| | 1728 | | min ⁻¹ 60Hz |
| Rated motor frequency | 50 | | Hz |
| Rated motor voltage(+/-10%) | 230 | | VΔ/50Hz |
| | 400 | | VY/50Hz |
| | 280 | | VΔ/60Hz |
| | 480 | | VY/60Hz |
| Rated motor torque | 9.91 | | Nm (Mn) |
| Rated motor current | 5.97 | VΔ/50Hz | A (In) |
| | 3.34 | VY/50Hz | A (In) |
| Starting motor current | 6.5 | | xIn |
| Starting motor torque | 2.7 | | xMn |
| Breakdown motor torque | 2.5 | | xMn |
| Starting | | | D.O.L. |
| Efficiency class | IE3 | | |
| Efficiency | 50Hz | 60Hz | |
| | 85.4 | 86.6 | 100% load |
| | 86.0 | 86.0 | 75% load |
| | 85.2 | 85.2 | 50% load |
| Power factor cosφ | 0.74 | 0.74 | 100% load |

| General data | | |
|-----------------------------------|-------------------|-------------|
| Frame size | 90 | |
| Mounting | B5 | |
| Weight | 19.2 | kg |
| Casing material | Aluminum | |
| Protection | IP | 55 |
| Insulation class/Temperature rise | F | |
| Tropicalization | Yes | |
| Vibration class | A | |
| Duty | S1 | |
| Direction of rotation | Bidirectional | |
| Method of cooling | IC | 411 |
| Cable entry | 2-M25x1,5 | |
| Standards | IEC/DIN/ISO/DE/EN | |
| Execute at Standard | IEC 60034-1 | |
| Feet removable | Yes | |
| Paintwork | 7030 | C2 standard |
| Thermal protections | | |

| Site conditions | |
|--------------------------|---------------------|
| Ambient temperature | from -20°C to +40°C |
| Altitude above sea level | 1000 m |

| Mechanical data | | | | | | |
|-------------------------|---|----|------------------|---------------------------------------|--------------|----------|
| Noise level | LpA | 59 | dB(A) | Bearing DE side | 6205-2RZ ZV3 | |
| | LwA | 64 | dB(A) | Bearing NDE side | 6205-2RZ ZV3 | |
| Moment of inertia | 0.00426 | | kgm ² | Average bearing lifetime | 40000 | h |
| Bearings type | | | cgjf | Relubrication interval L1 DE bearing | life | h |
| Lubricants for bearings | See installation and maintenance manual | | | Relubrication interval L1 NDE bearing | life | h |
| | | | | Compensation ring | DE SIDE | standard |